

45450 MANUAL

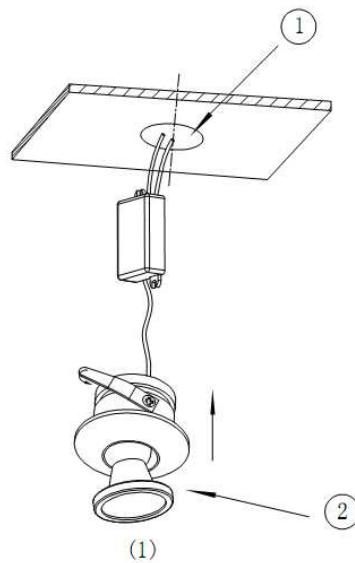
Forward

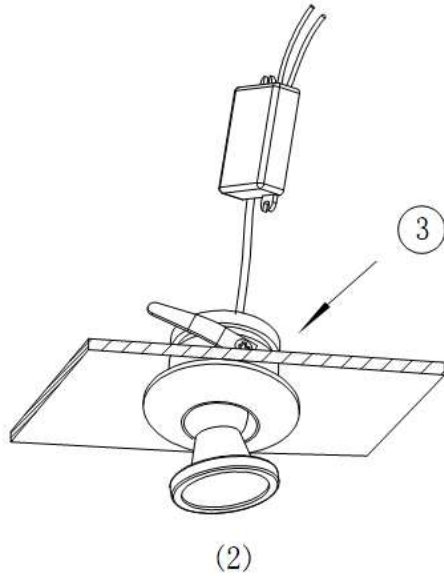
Thanks for choosing our 45450 spot light. Before installation and use, we strongly recommend you to read through this manual carefully. If device has been damaged during transport, please report it to your supplier immediately. Please don't take any action without contacting your supplier first.

Technical Specs:

Item No.	Light source	Beam angle	Protection gr	Working power	Material
45450	1x3W CREE LED	45°	IP20	220~240V AC	Top aluminum

Connecting scheme





Safety Warnings

1. Please don't install this controller in lightning, intense magnetic and high-voltage fields.
2. To reduce the risk of component damage and fire caused by short circuit, make sure correct connection
3. Always be sure to mount this unit in an area that will allow proper ventilation to ensure a fitting temperature.
4. Check if the voltage and power adapter suit the controller & if anode or cathode definition is the same as the controller's.
5. Don't connect cables with power on, make sure a correct connection and no short circuit checked with instrument before power on.
6. Please don't attempt any repairs yourself; doing so will void your manufacture's warranty.

For update information, kindly please consult with your supplier.

After-sales Service

From the day you purchase our products within a year, if being used properly in accordance with the instruction, and quality problems occur, we provide free repair or replacement services except the following cases:

1. Any defects caused by wrong operations..
2. Any damages caused by unauthorized removal, maintenance, modifying circuit, incorrect connections and replacing chips.
3. Any damages due to transportation, vibration etc after the purchase.
4. Any damages caused by earthquake, fire, lightning strike, pollution and abnormal voltage.
5. Any damages caused by negligence, inappropriate storing at high temperature and humidity environment or near harmful chemicals.
6. Product has been updated