



Model:45462

Type:Energy saving lamp

Luminant:GX53 energy saving lamp

Technical Specifications:

.**Voltage:**220~240V 50Hz/60Hz

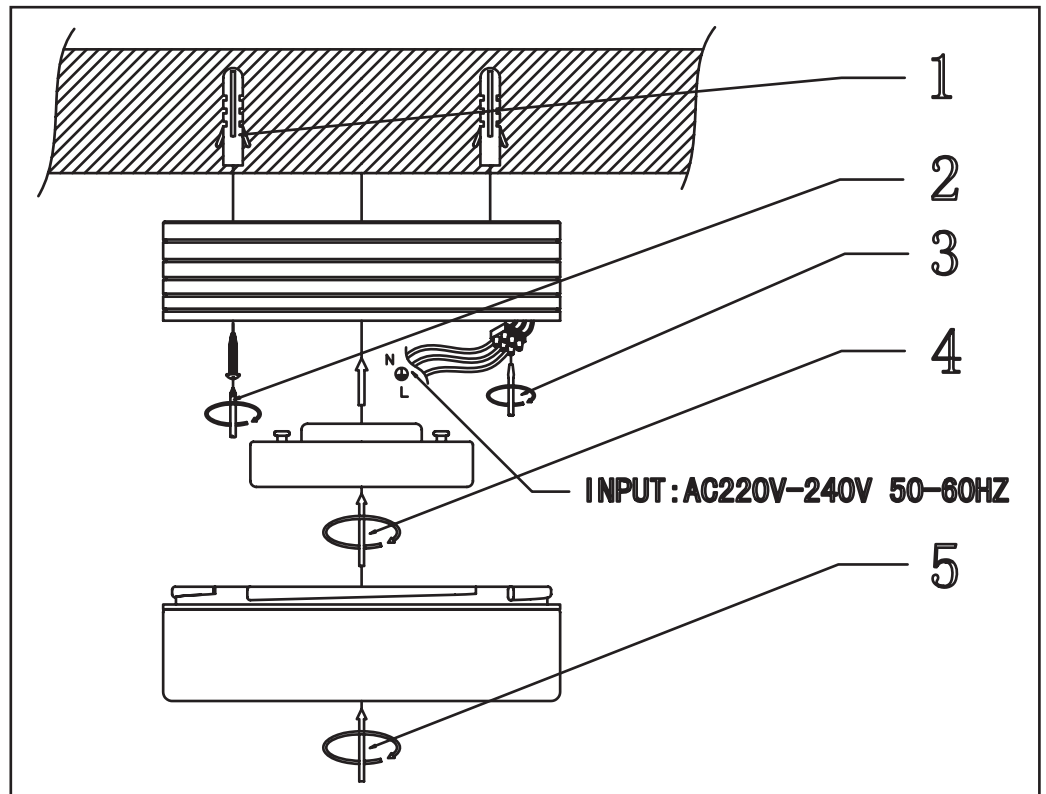
.**Power:**GX53 lamp Max.9W

.**IP Grade:**IP44

.**Safe Grade:** Class I

Installation:

- .Switch off the power before installation;
- .Connect the wire according to the drawing;
- .Install the bulb into the lampholder.
- .Install the glass.



Recommendation for safety:

- .Install the lighting fixture by professional only;
- .Make sure power is off before installing;
- .Do not touch the bulb when it lights on;
- .Always turn off the power for few minutes before handling or replacing the bulb;
- .Allow distance of at least 0.5m between the lamp and light surface;
- .Use only dry cloth to clean the bulb,do not use cleanser or chemical cleaning products;
- .The actual use power should not override the rated power.