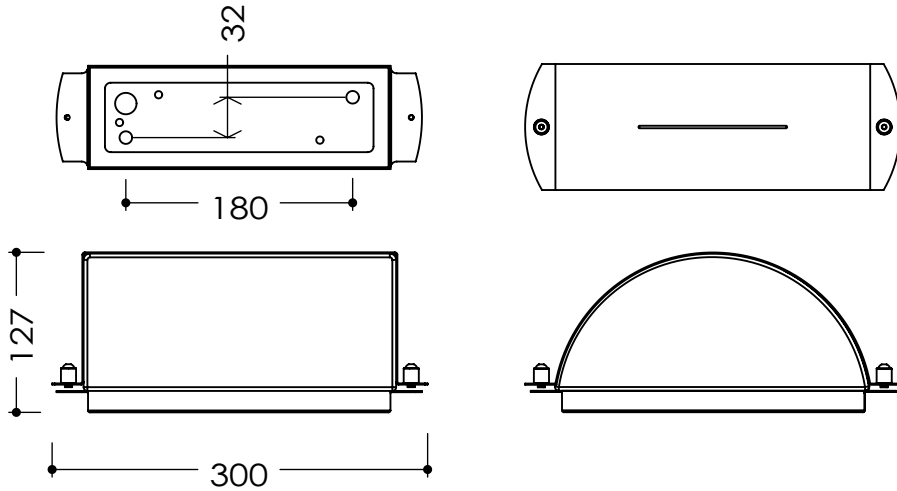


INSTRUCTION

wall lights



Art No.: 46006/46007

LAMP

Tungsten halogen lamp for mains voltage
QT 32.75W / Bulb 75W .E27
220V--240V

Please note the lamp manufactures instruction.

Product description

The armature made of copper and stainless steel

Opal glass

Reflector made of pure aluminium

2 fixing holes 4.5mm

Lamp holder E27

Safety class I

Protection class IP54

CE mark

QAZQA
www.qazqa.com